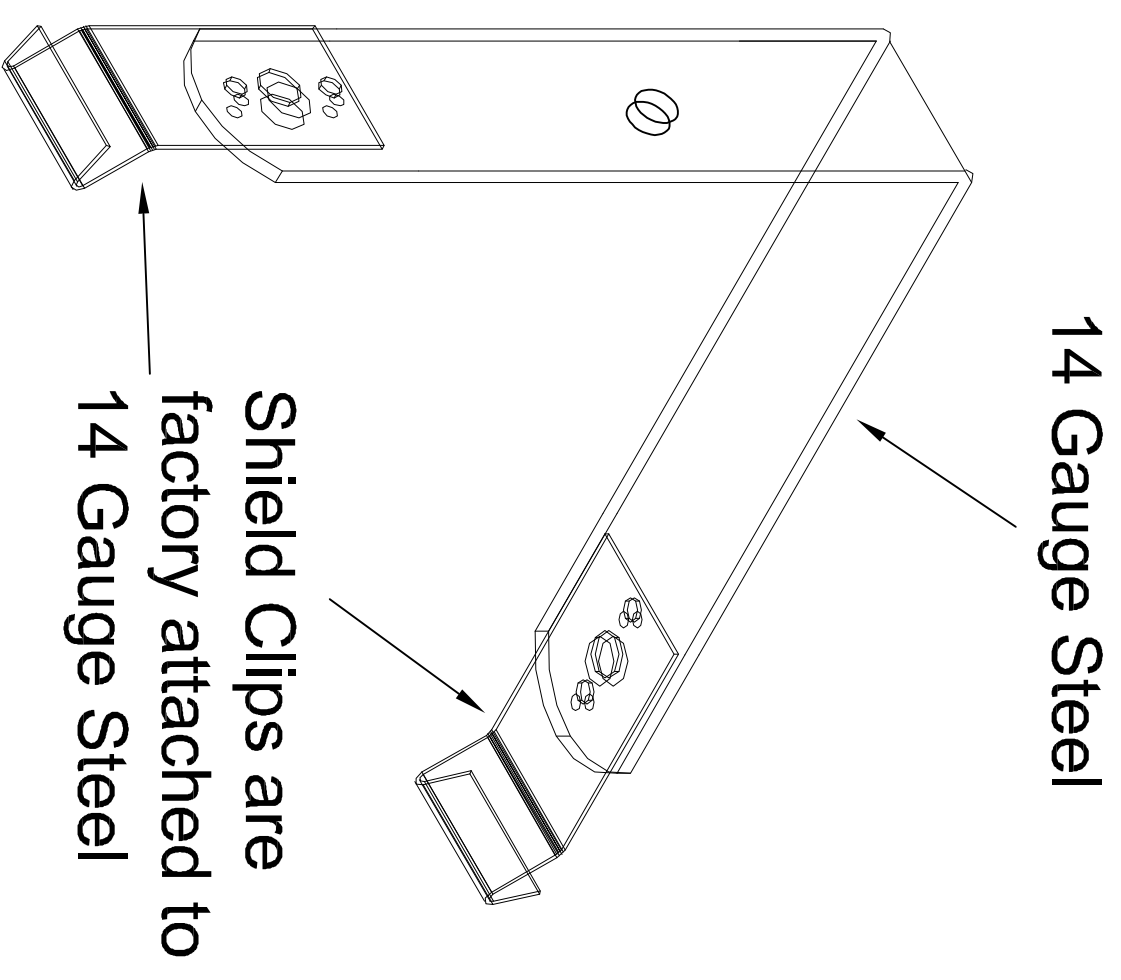
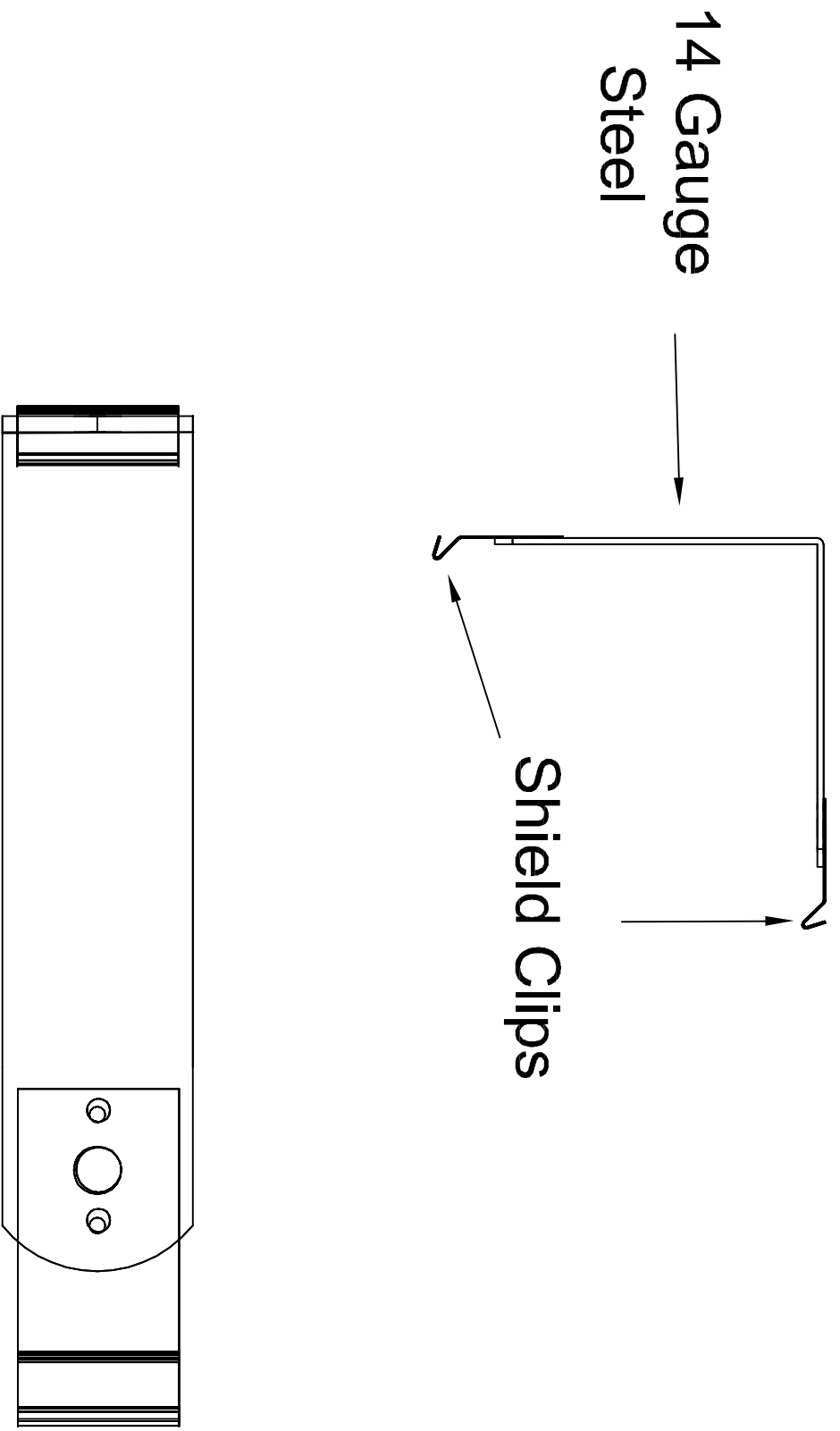


# Interior Soffit Systems\* L-Bracket



**Note: For attachment of soffit when dropped ceiling tiles or asbestos are existing site conditions**

\* Available In Our Design, Illusions, Assurance, and Enforcer Soffit Lines

JG Innovations, Inc.

Janesville, WI

1-888-933-2248    [www.JGIUS.com](http://www.JGIUS.com)