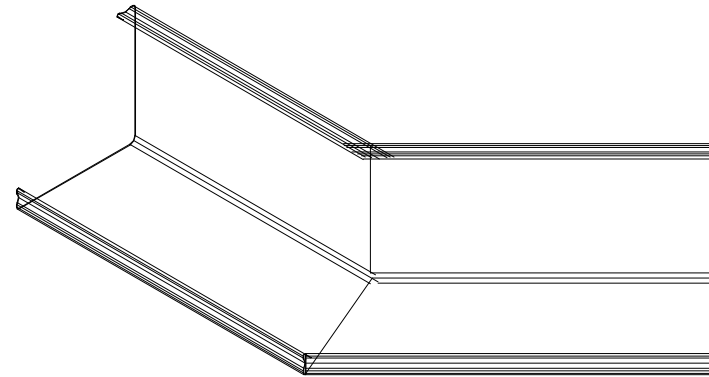
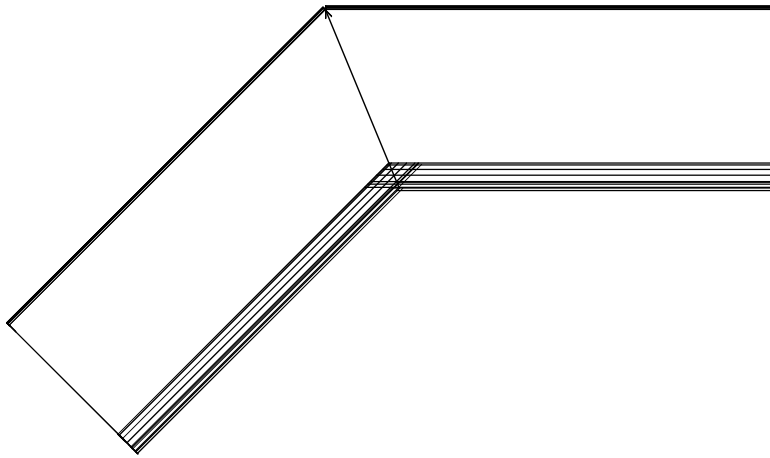


Soffi-Steel® System

45° Inside Corner



JG Innovations, Inc.

45° Inside Corner

Drawn By: S.P.S.

**The Soffi-Steel System is protected by
patent number 5,526,617; other patents pending.**