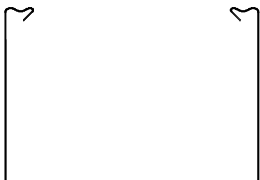
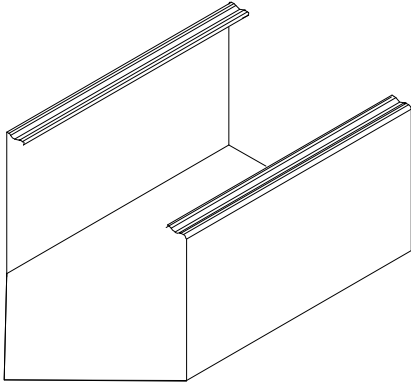
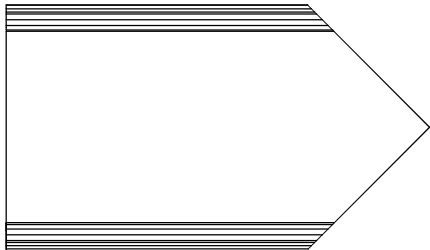


Soffi-Steel® System U-Shield Corner Piece



JG Innovations, Inc.

Specialty Corner Piece

Drawn By: S.P.S.

The Soffi-Steel System is protected by
patent number 5,526,617; other patents pending.