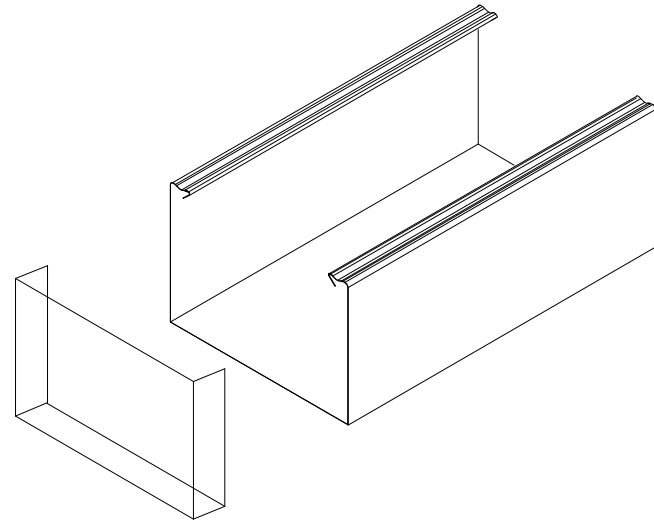
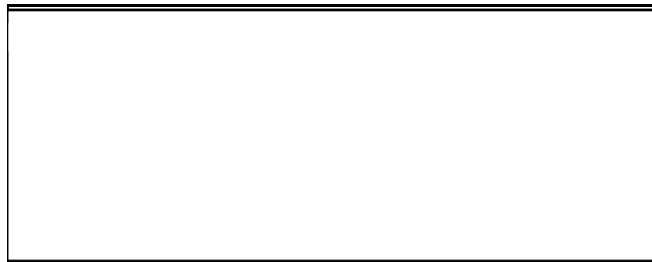


# Soffi-Steel® System End Cap



end cap slides into  
U-shield and is secured  
with rivets or caulk

JG Innovations, Inc.

End Cap Assembly

Drawn By: S.P.S.

The Soffi-Steel System is protected by  
patent number 5,526,617; other patents pending.