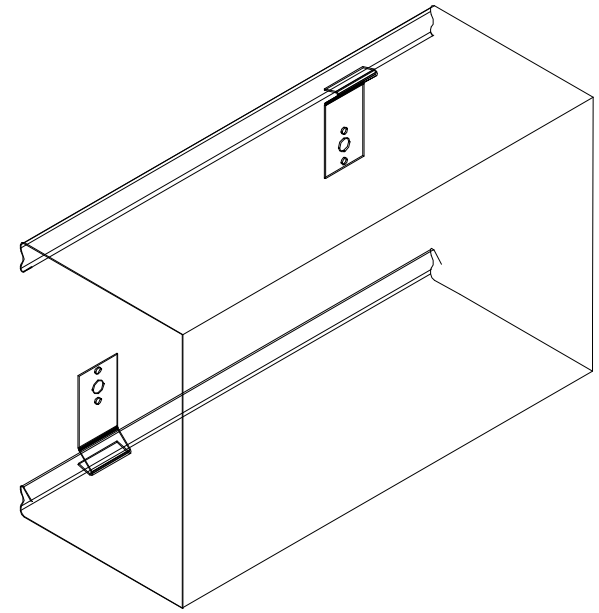
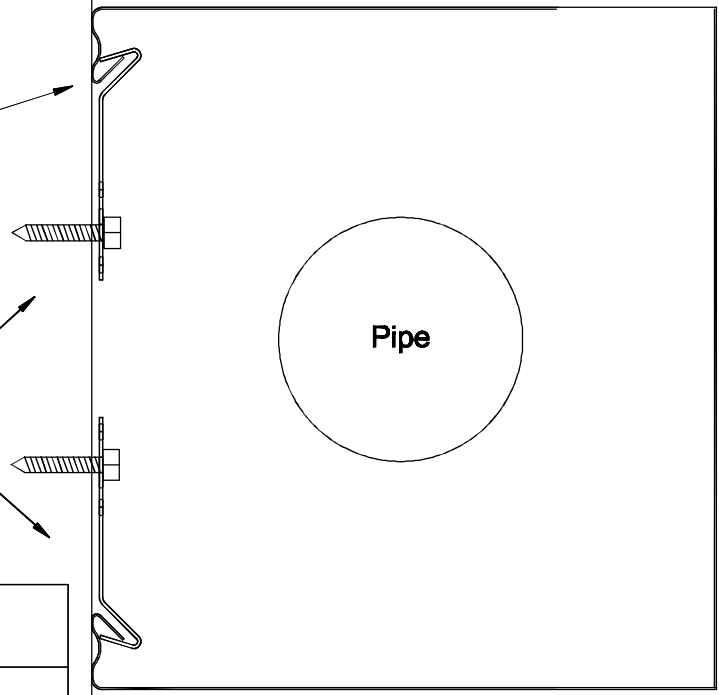


Soffi-Steel® System U-Shield

Wall →

Place caulk in
con-ceal-it groove
after attached to
wall or ceiling

Shield clips (attached
into wall or ceiling,
before "snapping"
Soffi-Steel® cover onto
clips)



JG Innovations, Inc.

U-shield & Attachment Clips

Drawn By: S.P.S.

The Soffi-Steel® System is protected by
patent number 5,526,617; other patents pending.