



An Essential Concealment Solution



**SIMPLE TO INSTALL
MAINTENANCE-FREE ALUMINUM SOFFIT
CONCEALMENT SYSTEM**



To See All Of JG Innovations Superior Soffit Solutions, Visit

www.JGIUS.com

DRAIN UP&DN
MANUAL WET STANDPIPE
UP&DN W/ 2½" FDV

FINISH YOUR PROJECT with a PROJECT WELL FINISHED BY *JG Innovations, Inc.*

Cover your Fire Sprinkler Systems, Piping, Plumbing, IT/Network Cable, Electrical and other exposed mechanicals with our ALumA-Fit™ Concealment System. The ALumA-Fit™ System is an aluminum soffit concealment system designed to cover one or multiple exposed mechanicals.

FEATURES

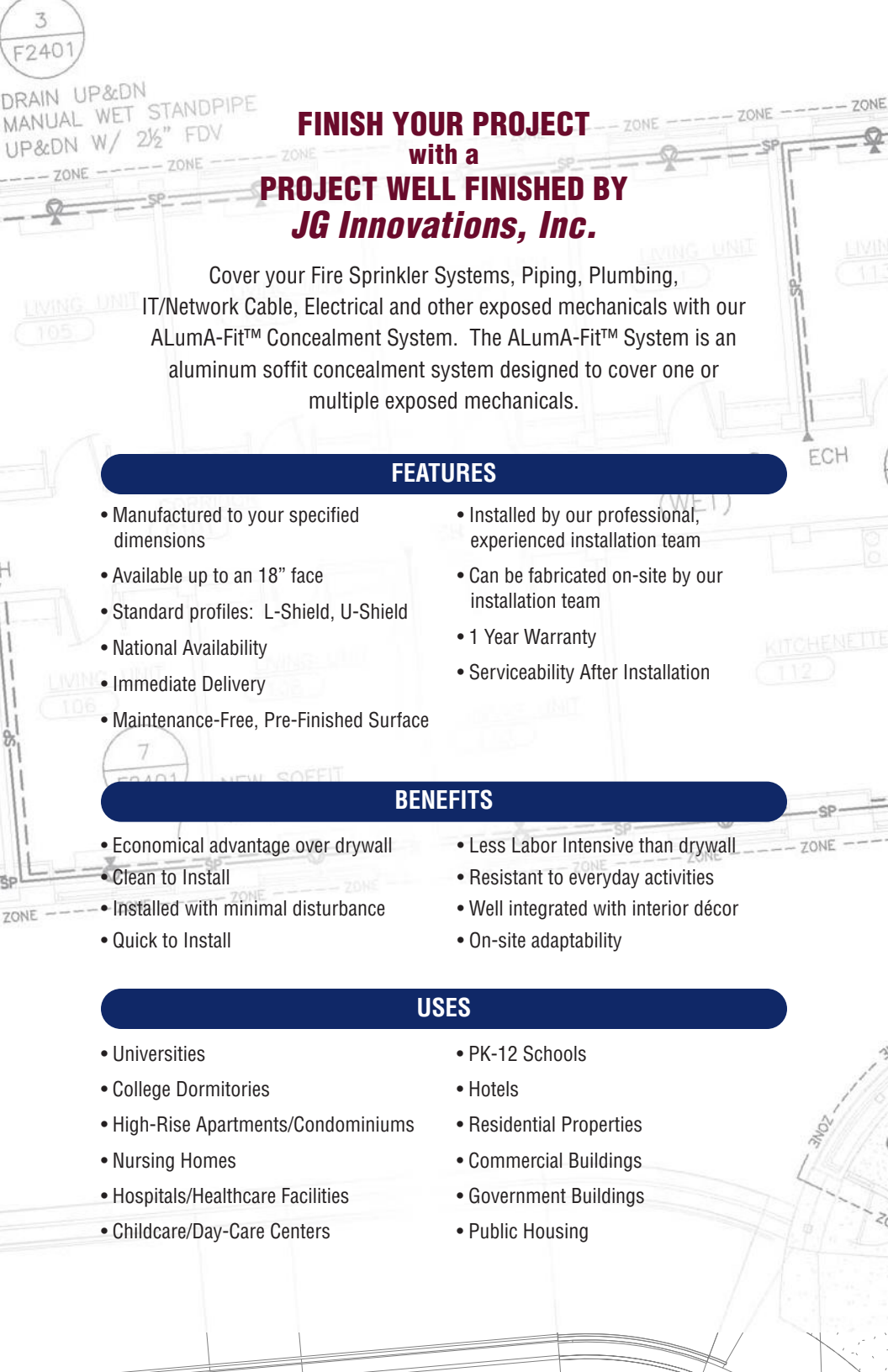
- Manufactured to your specified dimensions
- Available up to an 18" face
- Standard profiles: L-Shield, U-Shield
- National Availability
- Immediate Delivery
- Maintenance-Free, Pre-Finished Surface
- Installed by our professional, experienced installation team
- Can be fabricated on-site by our installation team
- 1 Year Warranty
- Serviceability After Installation

BENEFITS

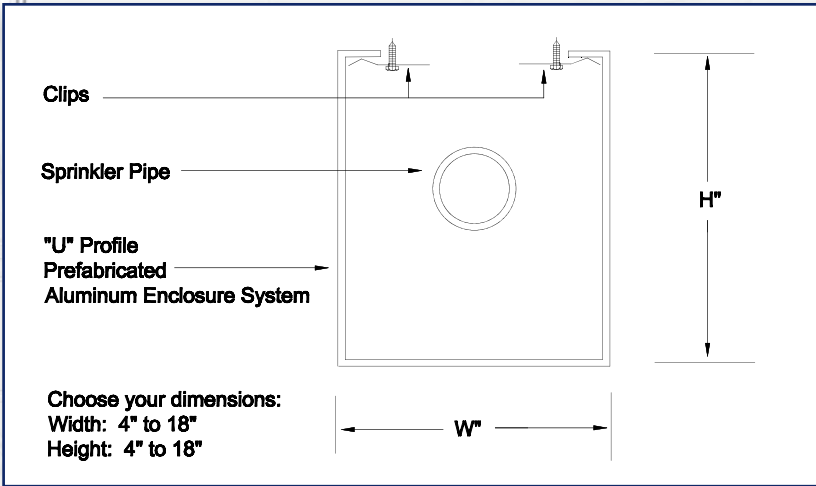
- Economical advantage over drywall
- Clean to Install
- Installed with minimal disturbance
- Quick to Install
- Less Labor Intensive than drywall
- Resistant to everyday activities
- Well integrated with interior décor
- On-site adaptability

USES

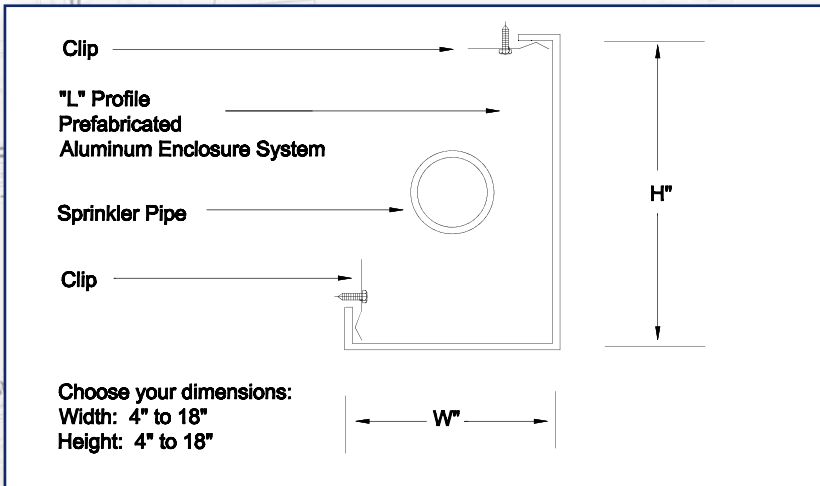
- Universities
- College Dormitories
- High-Rise Apartments/Condominiums
- Nursing Homes
- Hospitals/Healthcare Facilities
- Childcare/Day-Care Centers
- PK-12 Schools
- Hotels
- Residential Properties
- Commercial Buildings
- Government Buildings
- Public Housing



ALUMA-FIT™ U-SHIELD



ALUMA-FIT™ L-SHIELD



MATERIAL SPECIFICATIONS

.030 Aluminum - Smooth or Textured Finish

For A60/G90 Galvannealed Steel or Stainless Steel material options, consider our **Soffi-Steel®** and **Interlock™ Concealment System** Brands.

Visit www.JGIUS.com to see all of JG Innovations Superior Soffit Solutions

Essential Solutions For Your Concealment Needs

As the marketplace leader of interior soffit products, we possess the expertise required to efficiently handle your unique piping and mechanical enclosure specifications. Beginning with free design aid and competitive budgetary quotes, JG Innovations delivers the commitment necessary to take your next project from concept to completion. Our clients can expect to receive the quality fabricated and powder coated interior soffit system required to get the job done right and on-time.

Staffed with a licensed, Professional Engineer and skilled tradesmen, JG Innovations is also a reliable partner you can trust for your specialty engineered fabrications. Provided with a copy of your shop drawings, we guarantee nothing less than precision craftsmanship in a timely manner. We are a detail oriented company equipped with the resources to handle even the most complex of architectural products. JG Innovations' extensive experience with aluminum and sheet metal provides the solutions your job requires. Please contact our sales team toll-free at **1-888-933-2248** or e-mail **sales@jgius.com** for further information.

**CHOOSE JG INNOVATIONS FOR ALL YOUR
CONCEALMENT NEEDS**



P.O. Box 8128 • Janesville, WI 53547 • P: 608.314.8710 • F: 608.314.8712
TF: 888.933.2248 • sales@jgius.com • www.JGIUS.com