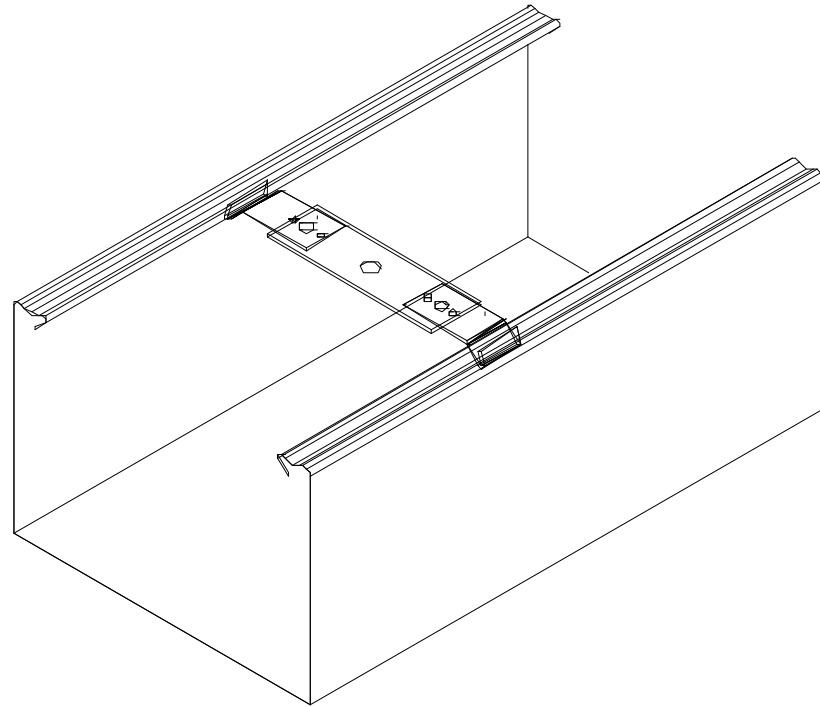
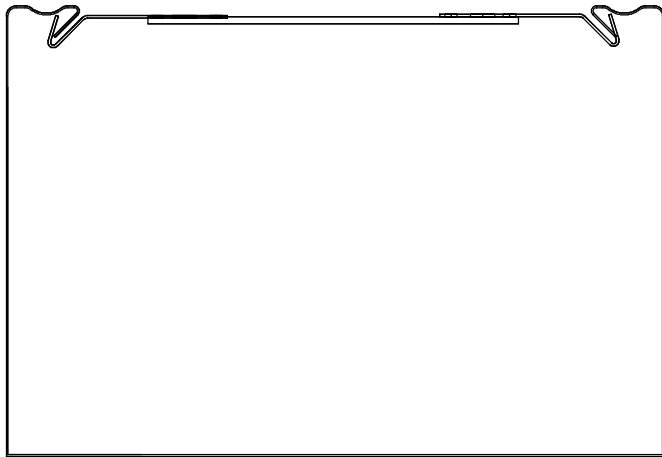


Soffi-Steel® System Flat Bracket



JG Innovations, Inc.

Flat Bracket

Drawn By: S.P.S.

The Soffi-Steel® System is protected by
patent number 5,526,617; other patents pending